

SOLAR RECHARGE UNIT (OPTIONAL)

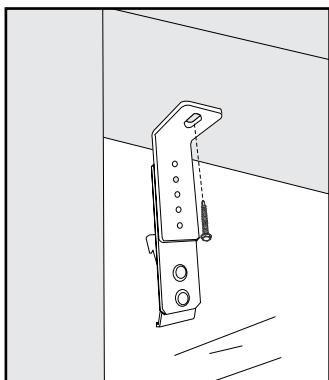
DETERMINE SOLAR RECHARGE UNIT PLACEMENT

The solar recharge unit should be placed where it gets the maximum amount of sunlight per day. **In most cases this can be achieved by mounting the unit directly to the glass with double sided tape.**

Brackets are provided if attaching to the glass is not possible.

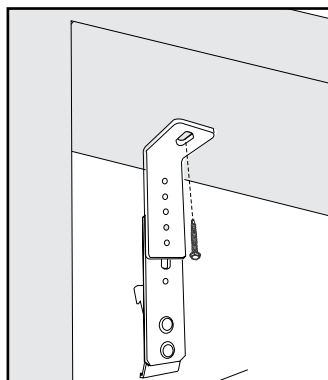
The brackets may be mounted several different ways depending on the application (window depth, window width, etc.).

The unit requires 19" minimum window width to mount horizontally.



Inside Mount

Bracket can be mounted behind or next to shade mounting bracket.

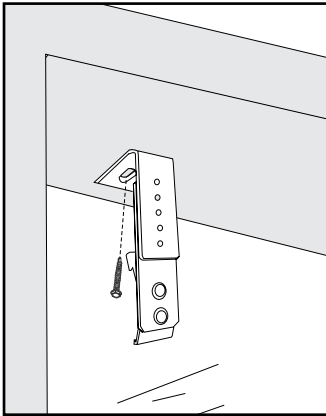


Inside Mount Extended

Bottom portion of the bracket may be lowered if needed for more sun exposure.

Bracket can be mounted behind or next to shade mounting bracket.

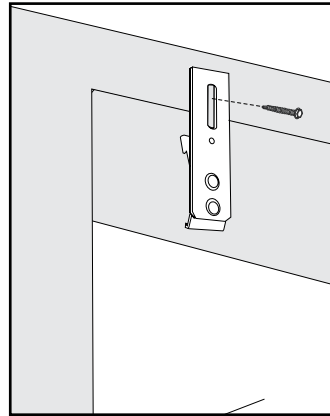
Note: only two of the holes are threaded.



Inside Mount with Top Reversed

The top portion of the bracket may be reversed if necessary depending on space.

Bracket can be mounted behind or next to shade mounting bracket.



Outside Mount

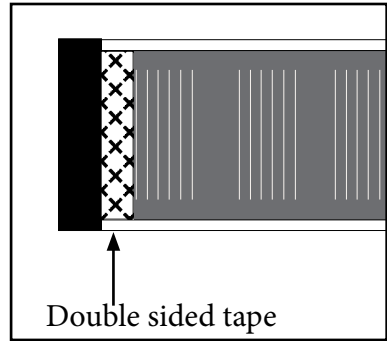
This method will provide the least amount of sun exposure. Bracket can be mounted next to shade mounting bracket.

INSTALL SOLAR RECHARGE UNIT

Tape Method

Cut the tape (part # MI051045) to fit inside the white border as shown. Clean the ends of the solar panel where the tape will go with rubbing alcohol. When dry, remove the release liner from one side of the double sided tape and adhere them to face of the panel. Make sure to put the tape on the face (black side) of the panel.

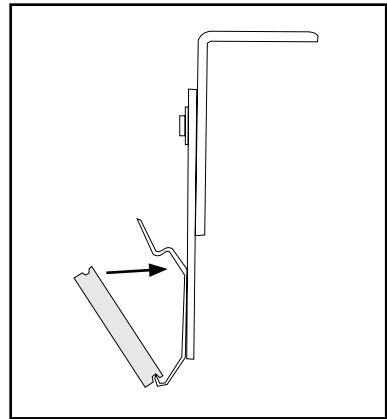
Clean the window surface with rubbing alcohol. When dry, remove the release liners and attach the solar panel to the glass, pressing firmly to adhere.



Bracket Method

If using brackets, set the bottom groove of the unit onto the bottom bracket hook. Then press the top of the unit until it snaps into place.

If space is limited it may be easier to attach the brackets to the solar unit before screwing the brackets in place.



CONNECT SOLAR RECHARGE UNIT TO MOTOR

After the shade is installed, plug the solar unit into the motor recharge port.